

# POSTEK TX(r) Series Quick Start Guide **POSTEK**

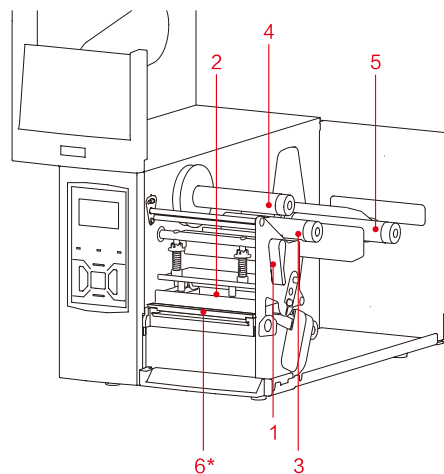
This Guide will assist with set up for Postek TX(r) Series Industrial printers. For a full overview of the TX(r) Series printer please refer to the TX(r) Series User's Manual.

## Unpack and Review Printer Components

1. Unpack the printer. Remove all tape and packing materials from outside and inside the product, making sure to check for tape under the cover. Set printer on a hard surface.
2. Check the contents according to the packing list. If there are any items missing, notify your authorized reseller.

## Packing List

- Quick Start Guide
- TX(r) Series Printer
- Power Cord
- USB Interface Cable
- CD-ROM Pack



- |                          |                 |
|--------------------------|-----------------|
| 1 Handle                 | 5 Media Spindle |
| 2 Printhead Module       | 6* RFID Antenna |
| 3 Ribbon Supply Spindle  |                 |
| 4 Ribbon Take-up Spindle |                 |

\*Applies to TXr Series only

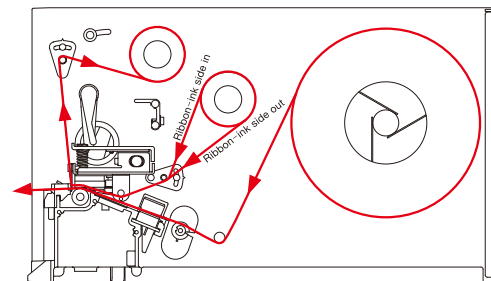
## Load Ribbon and Media, and Connect Printer

**\* Note:** Load ribbon only when using the thermal transfer printing method.

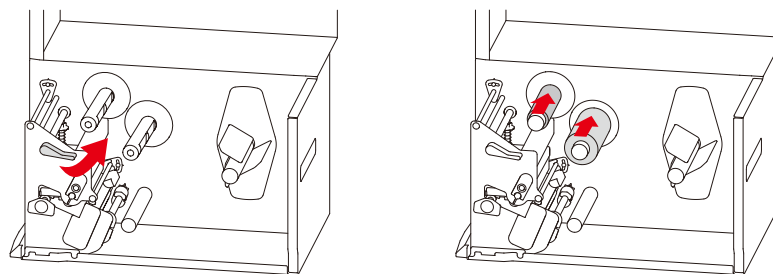
The TX(r) Series printer is compatible with ribbons that have ink on the inside and the outside. When loading ribbon, ensure the ribbon's ink side faces the media.

### Step1: Load Ribbon

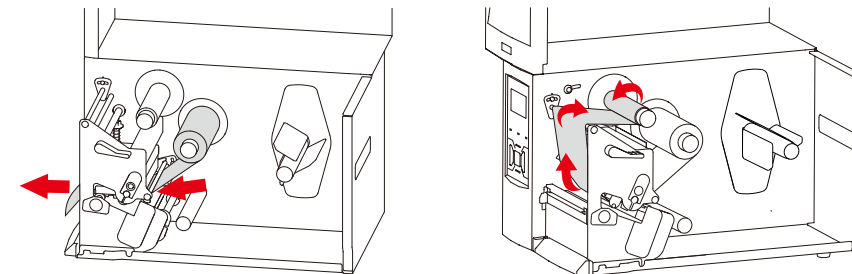
To load the ribbon, check the ink side of the ribbon first and follow the correct path shown on the side of the chassis. Below is the method of loading ribbon has ink on the Outside.



1. Lift the right cover. Turn the Handle counter clockwise to release the Printhead Module. Slide the ribbon onto the Ribbon Supply Spindle following the path marked "Ribbon - Ink Side Out", slide an empty core onto the Ribbon Take-up Spindle. Push them firmly to the inside edge of the Spindles.

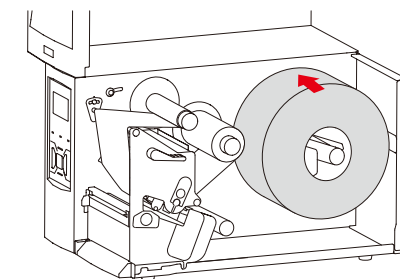


2. Lead the ribbon under the Ribbon Guide and past the printhead module, following the ribbon path provided on the side of the chassis. Wrap the leading edge of the ribbon around the empty ribbon core previously loaded. Turn the Take-up Spindle until the ribbon is tightly wound.



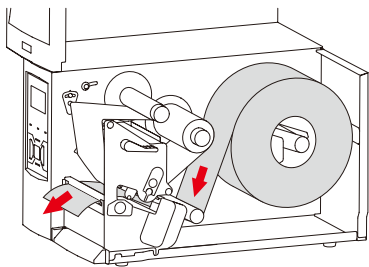
### Step2: Load Media

1. Load a roll of media onto the Media Spindle and push it close to the Spacing Plate.

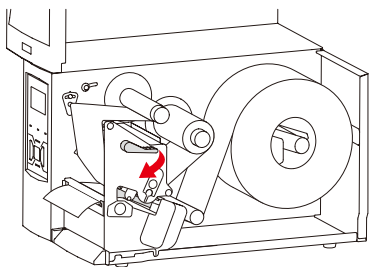


2. Lead the media pass the bottom of the Media Guide Rod and through the Printhead Module following the correct loading path shown on the chassis. Close the Handle, and media loading is complete.

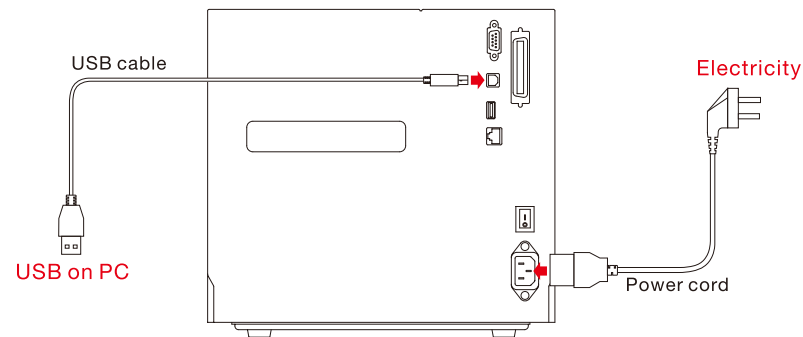
\*For TXr Series printers, please also make sure to lead the media pass and through the gap between the RFID Antenna and the Media Exit.



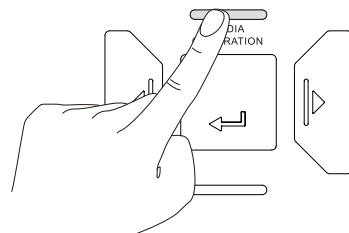
3. Close the Handle.



### Step3: Connect the Printer Using USB Interface



### Step4: Calibrate the Media Sensor



When it is the first time installing the media or when switching types of the media, please perform media calibration to ensure proper detection for the printer. Press the "MEDIA CALIBRATION" button, the printer will feed approximately 200mm of labels. This completes the calibration process. The printer is ready to print.

### \*Step5: Calibrate the RFID Antenna

Enter the setup menu by pressing the "MENU" button on the front panel, press the "PAUSE" button a few times until you find "RFID CALIBRATION", then press the "FEED" button to start calibration. This allows the RFID Antenna to automatically find the optimal read/write position on the RFID label.

\*Applies to TXr Series only

### Troubleshooting

1. **Printer cannot be powered on.**  
Check if the power cord has been correctly connected, check if the LED on the power adaptor is lit.
2. **Error message "Error- Can Not Print" appears.**  
Check for proper connection of the interface cable, and if more than one Postek printer driver are installed on your computer, make sure the correct printer model is selected in the label software.
3. **Ready and Ribbon lamps blink simultaneously**  
Confirm the ribbon has been loaded correctly.
4. **Ready and Media lamps blink simultaneously.**
  - a. Confirm the media is correctly loaded.
  - b. Confirm the media sensor is properly positioned.
  - c. Perform a media calibration
5. **There is no printout on the media after printing**
  - a. Confirm the ribbon has been loaded following the correct ribbon path (industrial barcode printers support ribbons with ink on the outside and the inside, see different loading paths on the chassis).
  - b. Confirm labels are formatted correctly and media has been calibrated.
6. **Printout on media is no clear**
  - a. Make sure the type of ribbon used matches with the type of media used. For example, PVC labels usually requires resin ribbon.
  - b. Adjust darkness settings in the software or LCD menu.
7. **Printout looks differently compared with the label template designed in the label software**  
Correct the page settings (size, gap and margin values) in the label software. Check "Print Preview" to confirm the format is correctly designed.

### Declaration

Postek Electronics Co., Ltd.

WWW.POSTEKCHINA.COM is the official website of Postek Electronics Co., Ltd. Additional product and Service information are available on WWW.POSTEKCHINA.COM

Trademarks **POSTEK** and **POSTEK**, and the copyright of this material belong to Postek Electronics Co., Ltd. They are protected under the law of People's Republic of China.